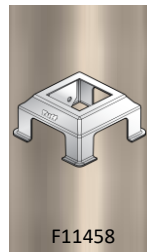
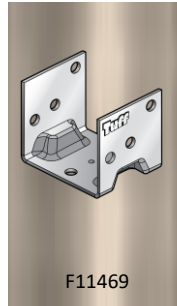


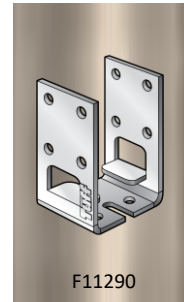
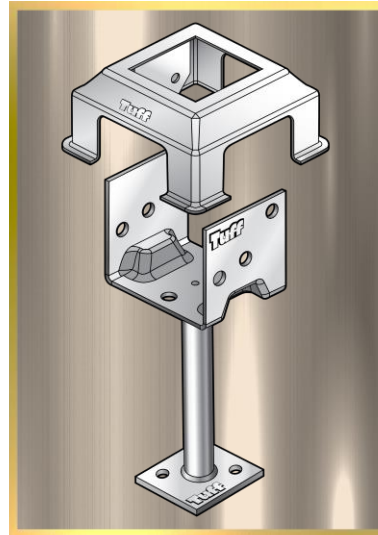
## F11471 COLONIAL TWO PIECE SPLIT



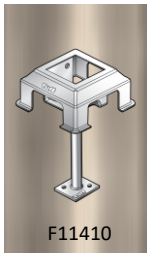
F11458



F11469



F11290



F11410

PRODUCT CODE	: F11471
BARCODE	: 9314691114702
POST SIZE	: 90MM
SHAFT LENGTH	: 300MM
SHAFT DIAMETER	: 25MM
BOLT HOLE	: M12
MADE FROM	: 2.5MM STEEL
FINISHING	: HOT DIP GALVANISED

### NOTES:

- CREATE AN ELEGANT DISTINCTIVE STYLE ON PERGOLAS, CARPORTS AND VERANDAHS
- IDEAL REPLACEMENT FOR GENERAL POST SUPPORT
- TERMITE RESISTANT
- SUITS 90MM, 100MM AND 115MM TIMBER POSTS

\*\* THE SLIDER MUST BE NAILED TO THE POST BEFORE SLIDING IT DOWN AFTER CONCRETING